

Stepper motor 17H2061-150-K17c000

KannMOTION series

Product description

- Stepper motor with built in controller
- Absolut position encoder ¹⁾
- Motor driver 24VDC/1.5A ²⁾
- Controller logic 24VDC
- Energy recovery with external resistor



Interfaces

- CAN-Interface

Benefits / Software

- Closed or open loop operation
- Fully controllable over CANopen
- Updates, Documents, Tutorials and Videos easy accessed at www.KannMOTION.de (in progress)

¹⁾ Absolut position on one turn

²⁾ Might be limited in time, restricted by losses! <Chip temperature>, take care about PCB cooling depending on application

Model	Holding torque [Nm]	Current [A/phase]	Resistance [Ohm]	Inductance [mH]	Length L [mm]
17H2041-150-K17c000	0.36	1.5	1.65	3.2	41 +/-0.5
17H2061-150-K17c000	0.72	1.5	3.2	6.4	61 +/-0.5

Technical data

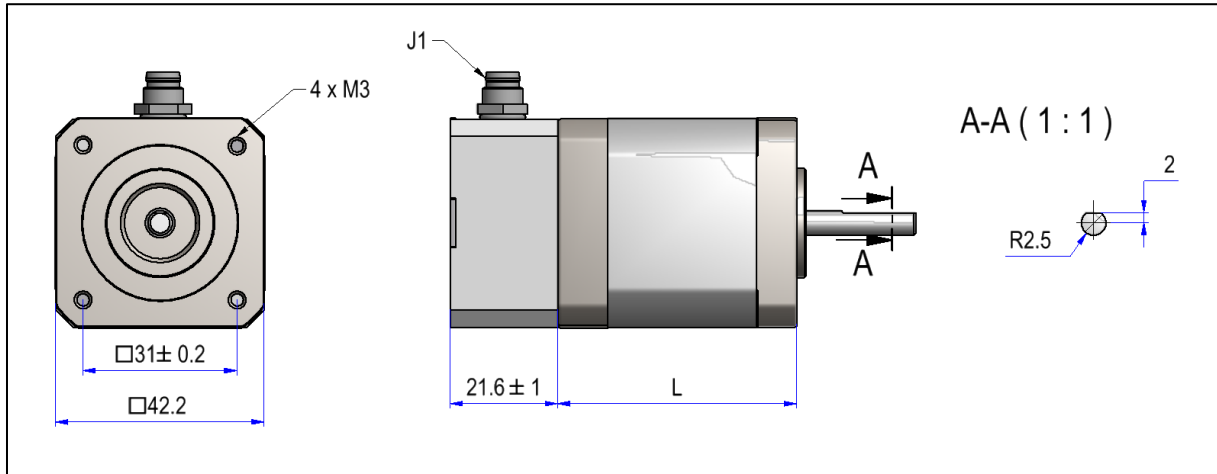
Rated supply voltage (motor drive)	24 VDC
Rated supply voltage (Logic)	24 VDC
Max. motor phase current ³⁾	1.5 A _{peak} / 0.75 A _{RMS}
Ambient temperature range	-10 to +40°C
Connection terminals	6 pole / wire max. 0.5 mm ² / 6A per pin
Position control accuracy	+/-1°
Motor control mode	micro stepping up to 1/16 depending on speed

³⁾ Might be limited in time, restricted by losses! <Chip temperature>, take care about PCB cooling depending on application

Ordering information

Part number	Description
100 525.000	Kann17H2061-150-K17c000
201 026.000	M8-6pol Aktorkabel, konfektioniert L=1.5m

Dimensions (in mm)



Force curves

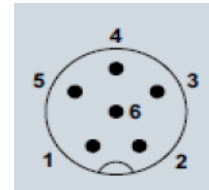
Please refer to motor data sheets

Connection terminals J1 (Control interface)

Pin	Description	Nominal	Absolute max	Comment
1	V_{motor}	24 VDC	36 VDC	Supply of motor drive (Power)
2	V_{in}	24 VDC	30 VDC	Supply of PCB logic, also for logic outputs
3	CAN-H	3.5 V	+ - 58V	CAN bus signal (not terminated)
4	CAN-L	1.5 V	+ - 58V	CAN bus signal (not terminated)
5	GND	-	-	Reference
6	GND	-	-	Reference

Pin	Description	Wire color @ 201 026.000
1	V_{motor}	brown
2	V_{in}	white
3	CAN-H	blue
4	CAN-L	black
5	GND	grey
6	GND	pink

**Pin diagram
male**



- 1: V_{in}
- 2: V_{motor}
- 3: CAN-H
- 4: CAN-L
- 5: GND
- 6: GND

Proper use



Do not connect or disconnect motor during operation!

Motor cable and motor inductivity might lead to voltage spikes when the motor is disconnected / connected while energized. These voltage spikes might exceed voltage limits of the driver MOSFETs and might permanently damage them. Therefore, always disconnect power supply before connecting / disconnecting the motor



Keep the power supply voltage below the upper limit!

Otherwise the driver electronics will seriously be damaged! Especially, when the selected operating voltage is near the upper limit a regulated power supply is highly recommended.



Check your mechanical system, is it able to drive the motor, avoid motor being used as generator

Every motor could be operated as an voltage generator, so take care about generated voltage, this might damage your electronics by overvoltage. Add some voltage limiter units to keep supply voltage in range.

Contact information

Adlos AG
Föhrenweg 14
FL-9496 Balzers

Thomas Vogt
Thomas.Vogt@adlos.com
Tel: +423 263 63 63

Countries: CH, A, LI, SK, IT
www.adlos.com

KOCO MOTION GmbH
Niedereschacher Straße 54
D-78083 Dauchingen

Olaf Kämmerling
O.Kaemmerling@kocomotion.de
Tel: +49 7720/995858-0

Countries: DE, BE, NL, LU
www.kocomotion.de